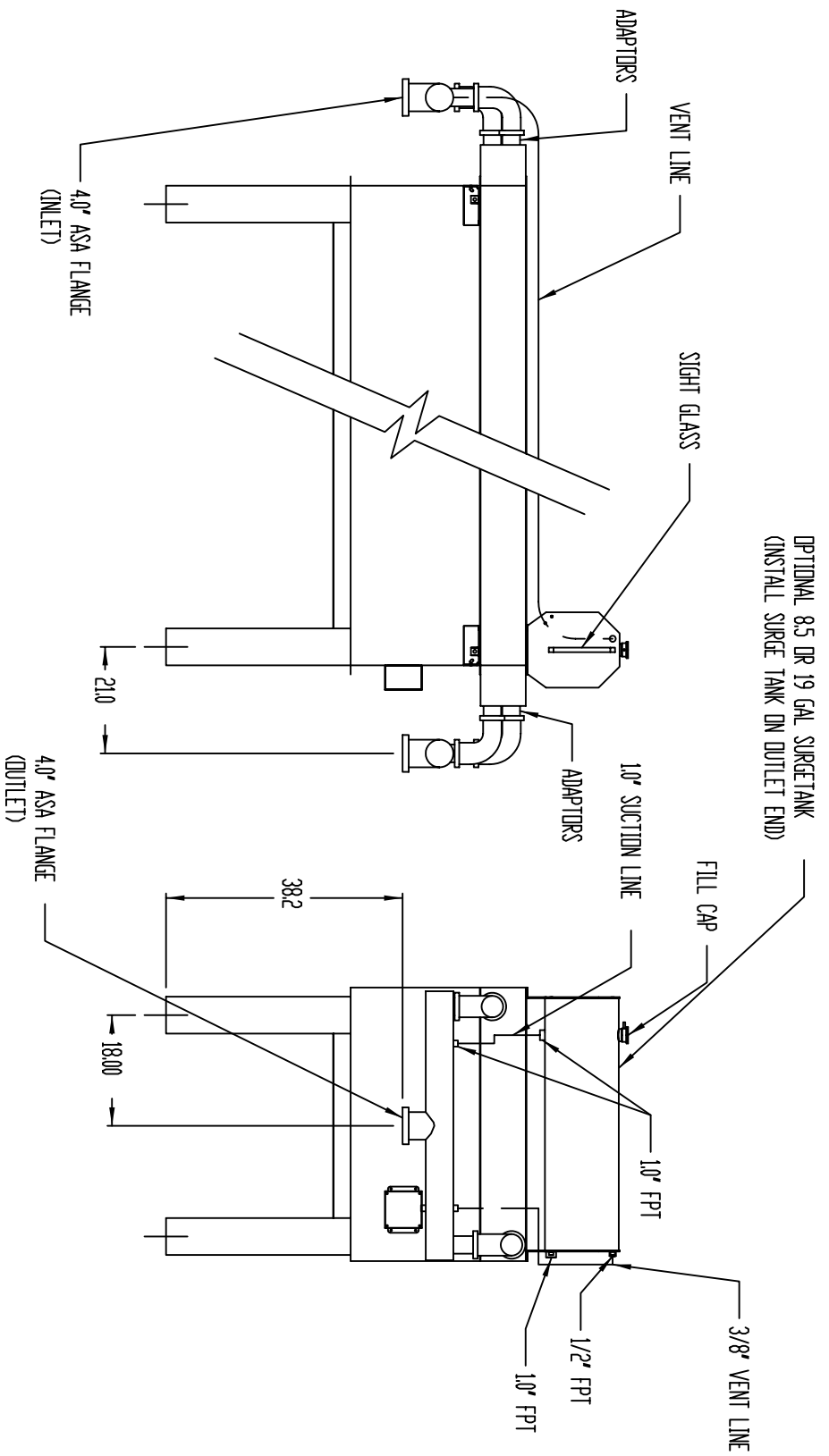


SURGE TANK & MANIFOLD KIT INSTALLATION



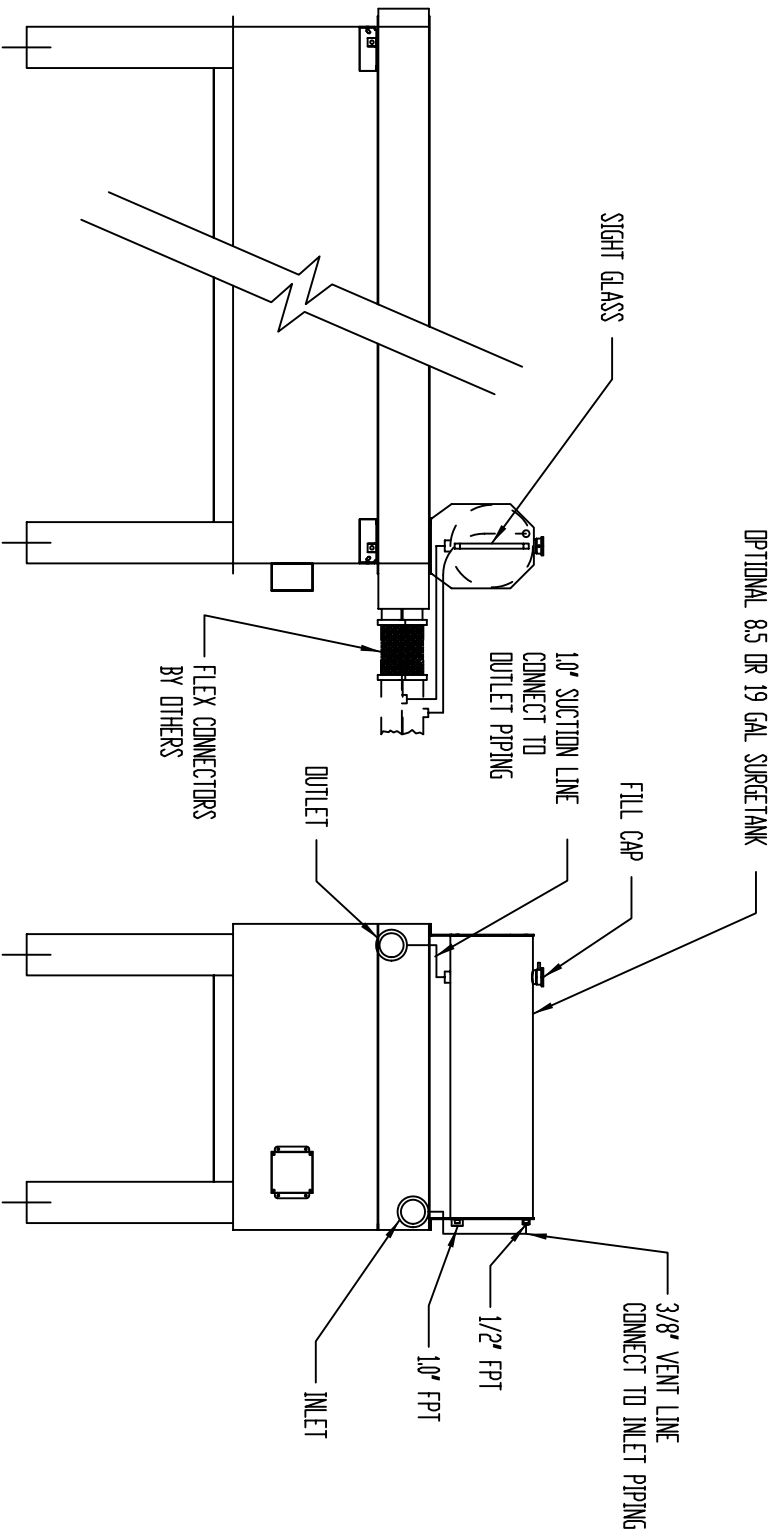
OPTIONAL 8.5 OR 19 GAL SURGETANK
(INSTALL SURGE TANK ON OUTLET END)

- MANIFOLD KIT INCLUDES:**
- (2) 4' MANIFOLD ASSY'S
 - (4) 25' PIPE 90° ELBOW FLEX MASTER COUPLING
 - (4) 25' FPT X 25' PIPE ADAPTORS

- NOTES:**
1. SUCTION LINE & VENT LINE TO BE SUPPLIED BY OTHERS
 2. SUPPORT OF MANIFOLD ASSY'S TO BE BY OTHERS

<p>THIS DOCUMENT AND THE DATA INCLOSED HEREWITH IS NOT TO BE REPRODUCED, COPIED OR INCLOSED IN WHOLE OR IN PART TO ANYONE WITHOUT EXPRESS WRITTEN CONSENT OF ROCORE INDUSTRIES, INC.</p>	<p>TOLERANCES UNLESS OTHERWISE SPECIFIED</p>	<p>ROCORE INDUSTRIES, INC.</p>
	<p>FABRICATING X = .004 X1 = .008 X2 = .010 X3 = .015</p> <p>WORKING X = .015 X1 = .030 X2 = .045</p>	
<p>DRAWN BY K. HACKBARTH</p>	<p>DATE 05/10/02</p>	<p>SIZE A</p>
<p>FILE SCALE 1/40</p>	<p>SIZE A</p>	<p>FILE NO. AD00050</p>

SURGE TANK INSTALLATION

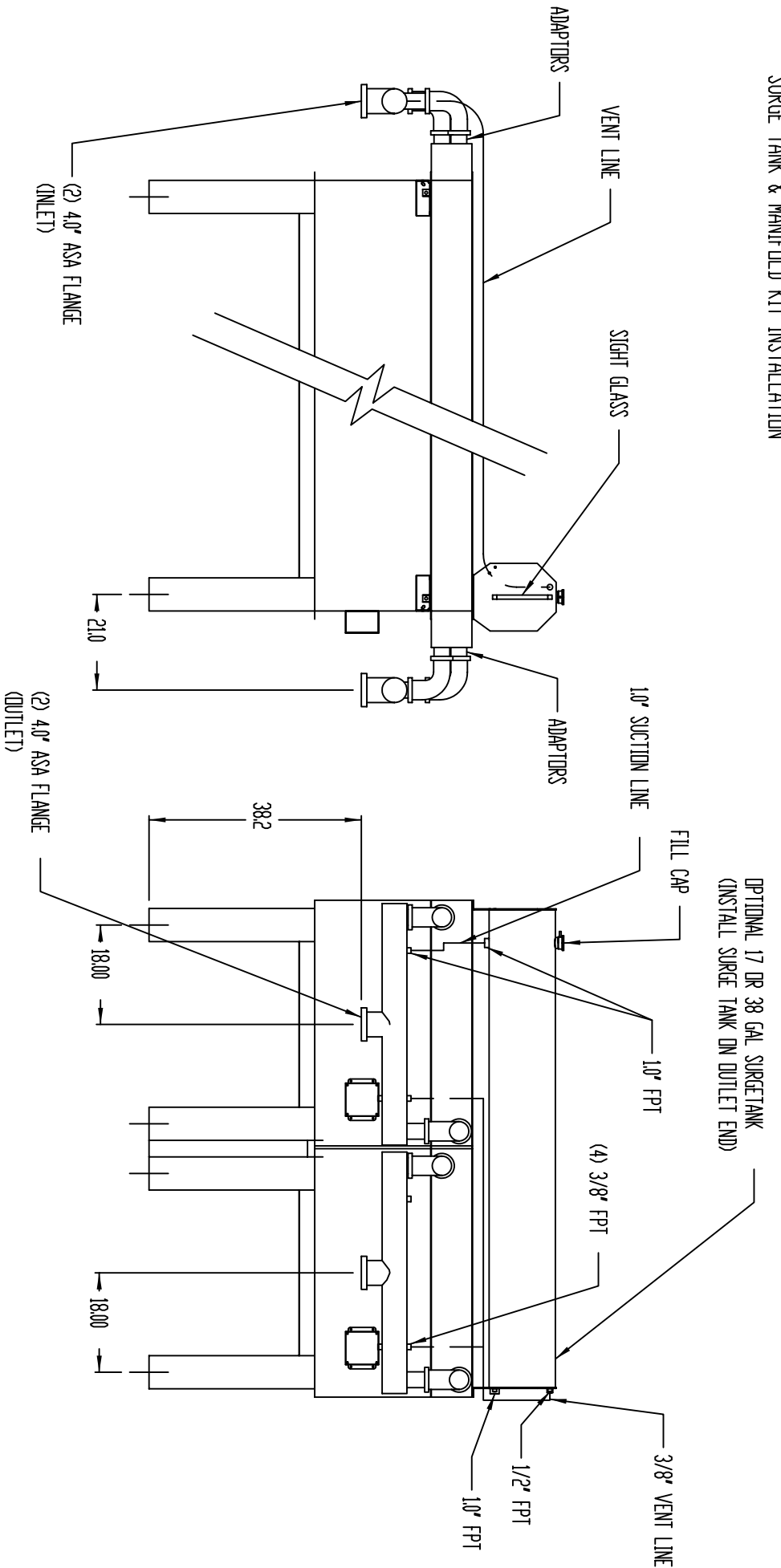


NOTES:
 1. SUCTION LINE & VENT LINE TO BE SUPPLIED BY OTHERS

THIS DOCUMENT AND THE DATA INCLOSED HEREIN IS NOT TO BE REPRODUCED, COPIED OR INCLOSED IN WHOLE OR IN PART TO ANYONE WITHOUT EXPRESS WRITTEN CONSENT OF RECORE INDUSTRIES, INC.	TOLERANCES UNLESS OTHERWISE SPECIFIED	
	FABRICATING X = .004 XX = .003 XXX = .005	MACHINING X = .005 XX = .003 XXX = .005
PART NO: AD00055 REVISION: RH015-045, 2, 4, 8 PASS: CDNN/ASSM	SIZE: A	FILE: AD00055

RECORE
 INDUSTRIES, INC.

SURGE TANK & MANIFOLD KIT INSTALLATION

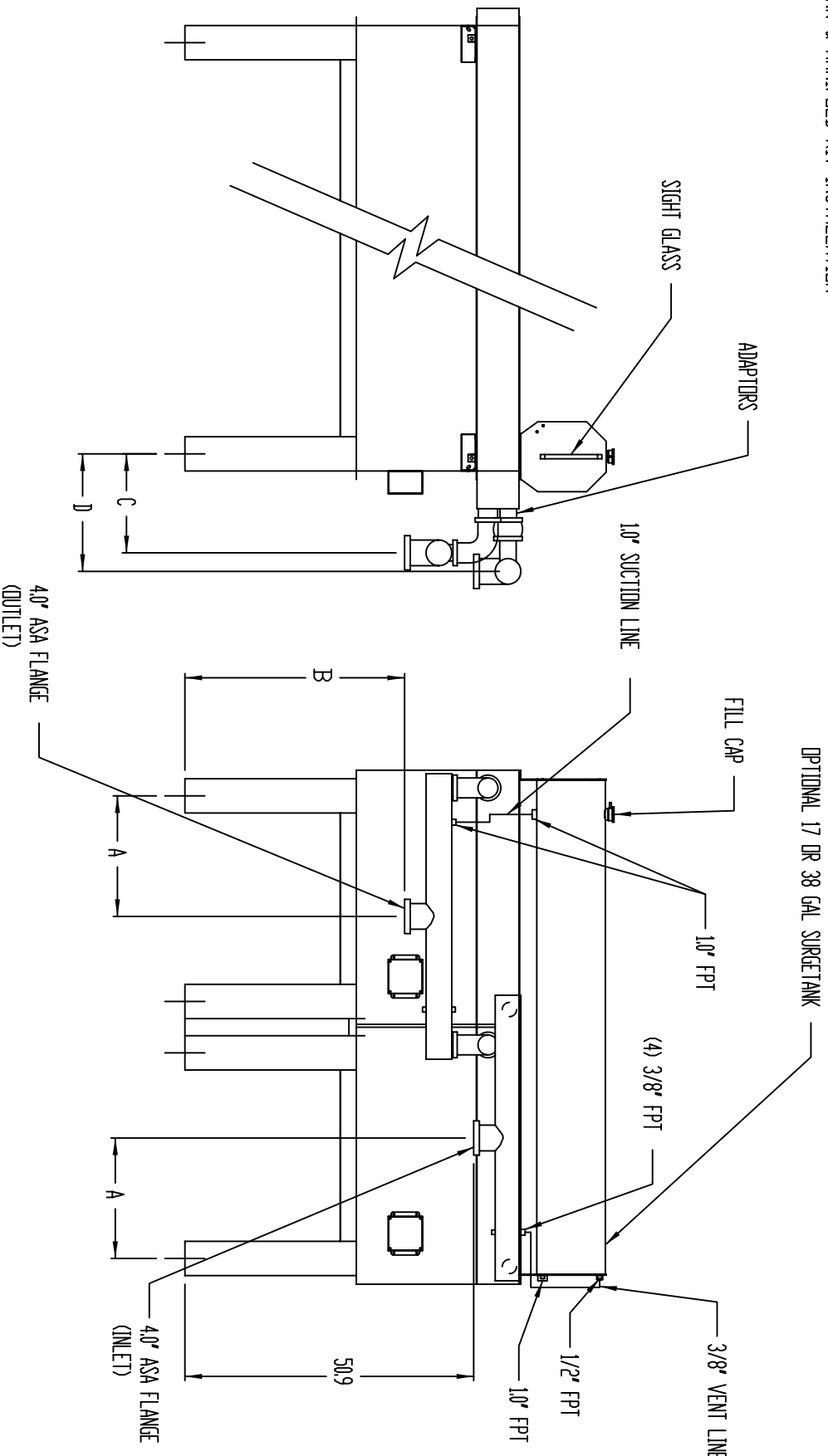


- MANIFOLD KIT INCLUDES:
- (4) 4' MANIFOLD ASSY'S
 - (8) 25' PIPE 90° ELBOW FLEX MASTER COUPLING
 - (8) 25' FPT X 25' PIPE ADAPTORS

- NOTES:
1. SUCTION LINE & VENT LINE TO BE SUPPLIED BY OTHERS
 2. SUPPERT OF MANIFOLD ASSY'S TO BE BY OTHERS

<p>THIS DOCUMENT AND THE DATA DISCLOSED HEREIN IS NOT TO BE REPRODUCED, COPIED OR INCORPORATED IN WHOLE OR IN PART TO ANYONE WITHOUT EXPRESS WRITTEN CONSENT OF RECORE INDUSTRIES, INC.</p>		<p>TOLERANCES UNLESS OTHERWISE SPECIFIED</p>	
<p>DRAWN BY K. HACKBARTH</p>		<p>DATE 05/10/02</p>	
<p>FULL SCALE 1/40</p>		<p>SIZE A</p>	
<p>RECORE INDUSTRIES, INC.</p>		<p>DESCRIPTION RH055-065.1 PASS CONN ASSY</p>	
<p>PART NO. AD00049</p>		<p>REV. FILE AD00049</p>	

SURGE TANK & MANIFOLD KIT INSTALLATION



- MANIFOLD KIT INCLUDES:
- (2) 4' MANIFOLD ASS'YS
 - (2) 25' PIPE STRAIGHT FLEXMASTER COUPLING
 - (2) 25' PIPE 90° ELBOW FLEX MASTER COUPLING
 - (4) 1/2" FPT X 25' PIPE ADAPTORS

- NOTES:
1. SUCTION LINE & VENT LINE TO BE SUPPLIED BY OTHERS
 2. SUPPORT OF MANIFOLD ASS'YS TO BE BY OTHERS

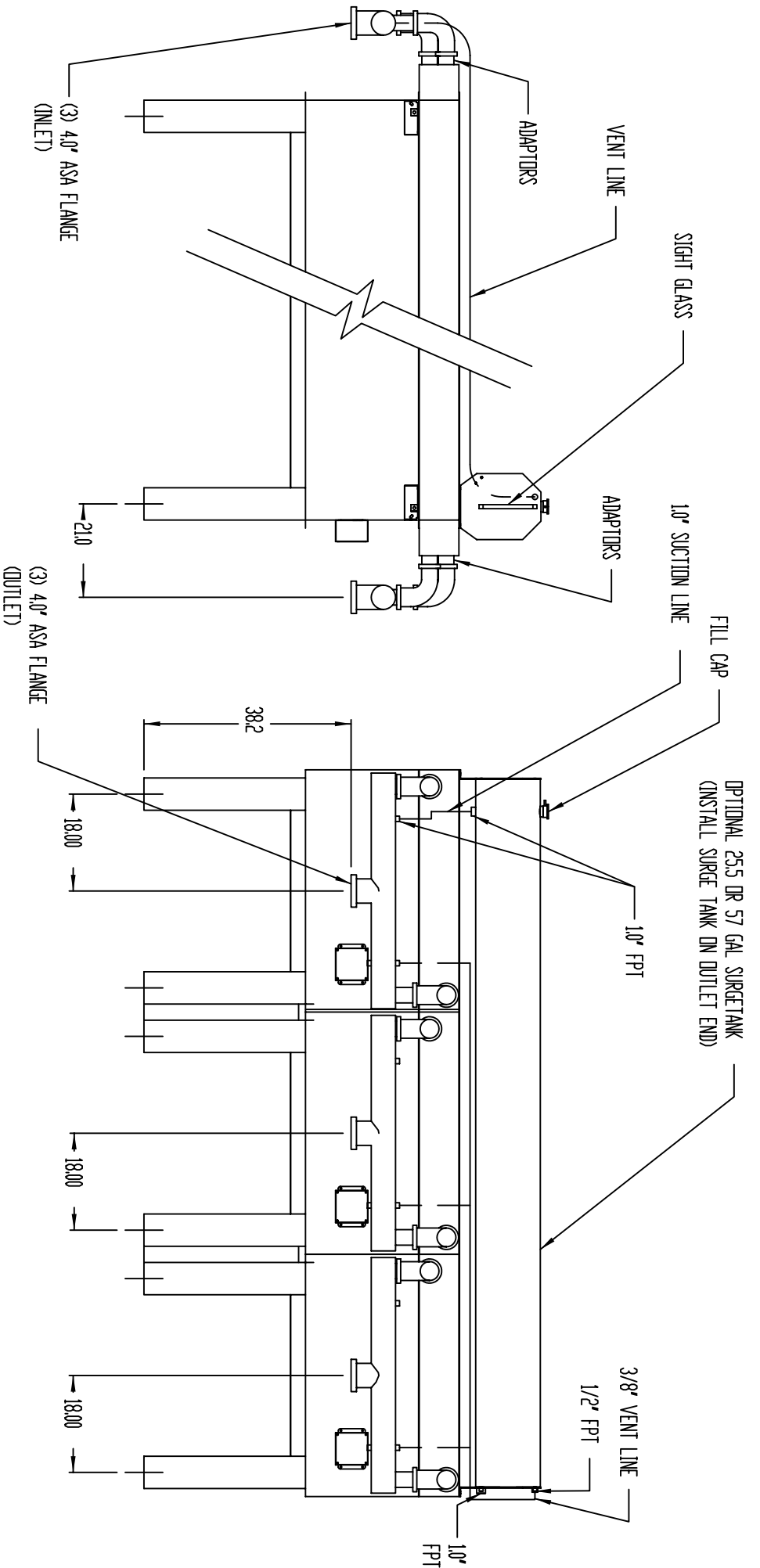
PASS	A	B	C	D	E
2	211	38.2	21.0	24.4	2.5
4	208	38.1	18.0	21.4	2.5
8	20.5	39.5	17.7	20.1	2.0

THIS DOCUMENT AND THE DATA INCLOSED HEREIN IS NOT TO BE REPRODUCED, COPIED OR DISCLOSED IN WHOLE OR IN PART TO ANYONE WITHOUT EXPRESS WRITTEN CONSENT OF RECORE INDUSTRIES, INC.

RECORE INDUSTRIES, INC.

DATE: 03/06/02
 DRAWN BY: K. HACKBARTH
 SIZE: A
 PART NO: ADJ0051
 DESCRIPTION: RH055-085.2.4.8 PASS.CDNV.ASSM
 FABRICATING: X = .60, XX = .40, XXX = .05
 MACHINING: X = .05, XI = .00, XII = .05
 FINISH: 1/40
 TOLERANCES UNLESS OTHERWISE SPECIFIED

SURGE TANK & MANIFOLD KIT INSTALLATION

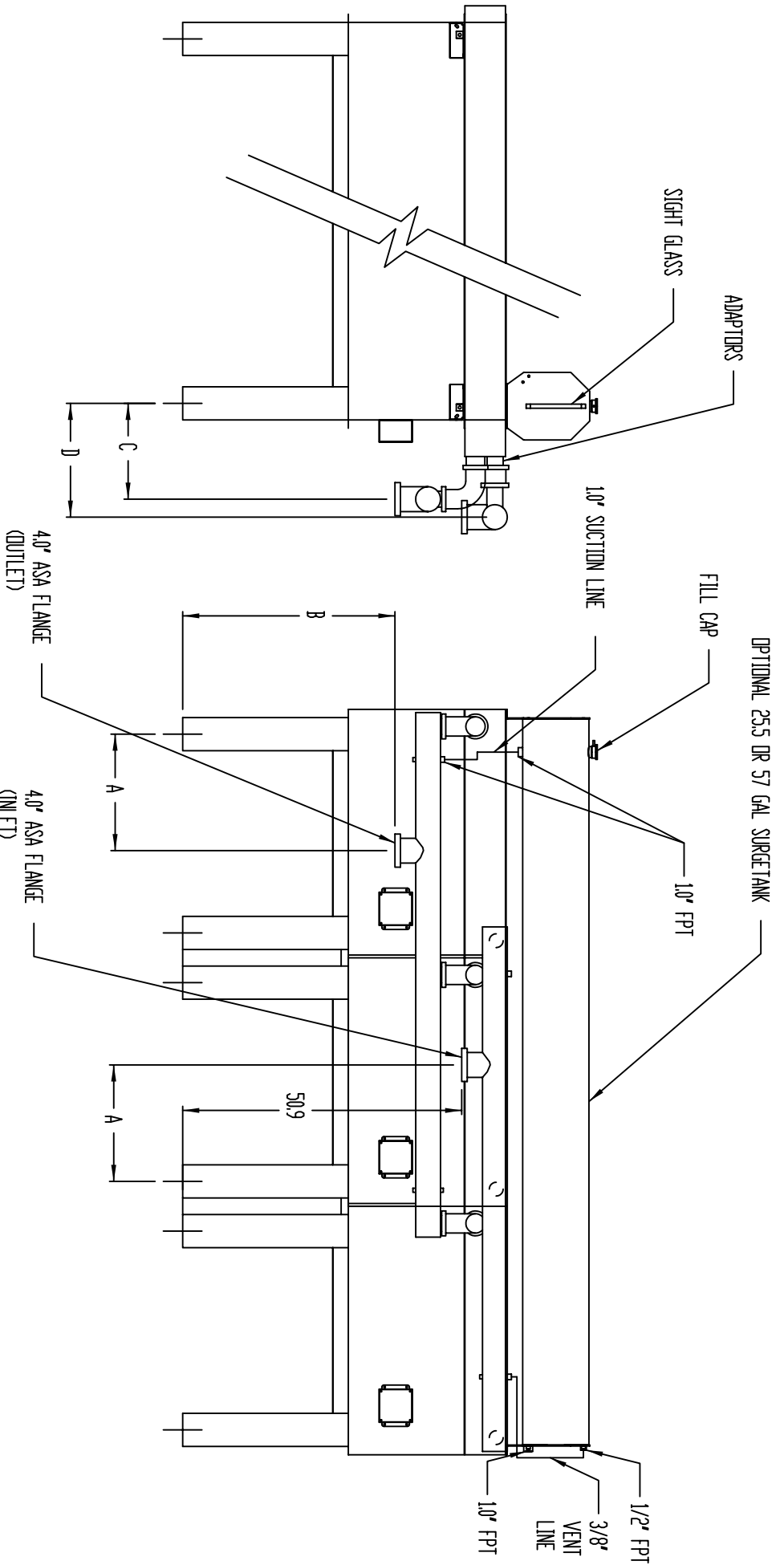


- MANIFOLD KIT INCLUDES:**
- (6) 4' MANIFOLD ASSY'S
 - (12) 25' PIPE 90° ELBOW FLEX MASTER COUPLING
 - (12) 25' FPT X 25' PIPE ADAPTORS

- NOTES:**
1. SUCTION LINE & VENT LINE TO BE SUPPLIED BY OTHERS
 2. SUPPORT OF MANIFOLD ASSY'S TO BE BY OTHERS

<p>THIS DOCUMENT AND THE DATA INCLOSED HEREIN IS NOT TO BE REPRODUCED, USED OR DISCLOSED IN WHOLE OR IN PART TO ANYONE WITHOUT EXPRESS WRITTEN CONSENT OF RECORE INDUSTRIES, INC.</p>	<p>TOLERANCES UNLESS OTHERWISE SPECIFIED</p>	<p>FABRICATING X = .004 X1 = .003 XXX = .005</p>	<p>WELDING X = .005 X1 = .004 XXX = .005</p>	<p>DATE 05/10/02</p>	<p>SIZE A</p>	<p>DESCRIPTION RH105-135.1 PASS.CINM.ASSM</p>
	<p>DRAWN BY K. HACKBARTH</p>	<p>FILE SCALE 1/40</p>	<p>PART NO. AD10052</p>	<p>REV. FILE AD10052</p>	<p>RECORE INDUSTRIES, INC.</p>	<p>PHOTO RECORE INDUSTRIES, INC.</p>

SURGE TANK & MANIFOLD KIT INSTALLATION



- MANIFOLD KIT INCLUDES:
- (2) 4' MANIFOLD ASSY'S
 - (3) 25' PIPE STRAIGHT FLEXMASTER COUPLING
 - (3) 25' PIPE 90° ELBOW FLEX MASTER COUPLING
 - (6) 1/2" FPT X 25' PIPE ADAPTORS

- NOTES:
- 1. SUCTION LINE & VENT LINE TO BE SUPPLIED BY OTHERS
 - 2. SUPPORT OF MANIFOLD ASSY'S TO BE BY OTHERS

PASS	A	B	C	D	E
2	211	38.2	21.0	24.4	2.5
4	208	38.1	18.0	21.4	2.5
8	205	39.5	17.7	20.1	2.0

THIS DOCUMENT AND THE DATA INCLOSED HEREIN IS NOT TO BE REPRODUCED, COPIED OR INCLOSED IN WHOLE OR IN PART TO ANYONE WITHOUT EXPRESS WRITTEN CONSENT OF RECORE INDUSTRIES, INC.

TOLERANCES UNLESS OTHERWISE SPECIFIED

FABRICATING X = .004
MACHINING X = .005
X1 = .003
X2 = .005
X3 = .005

DATE: 03/06/02
DRAWN BY: K. HACKBARTH
FURTHER SCALE: 1/40
SIZE: A
PART NO: AD00053
DESCRIPTION: RH105-135,2,4,8 PASS,CONV,ASSM

RECORE
INDUSTRIES, INC.